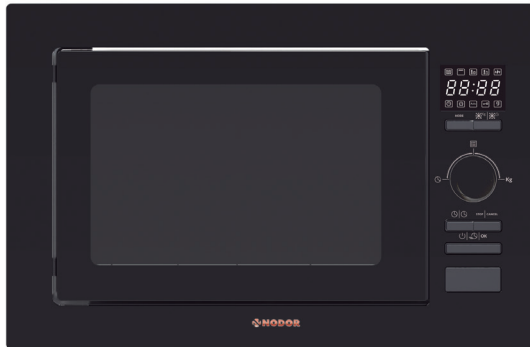


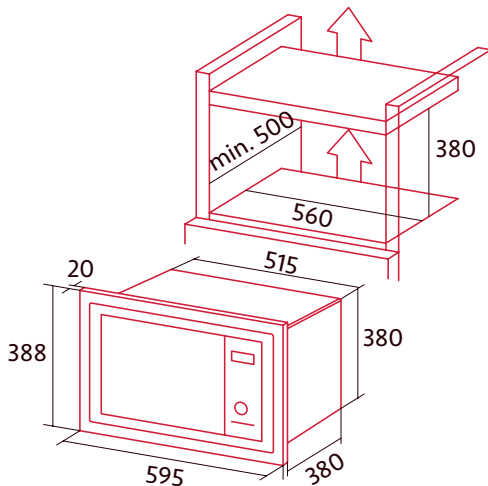
MICROWAVE



NorChef MW 25 DG CU

Cod.: 4057 / EAN: 8435025740570

- 25 litres, 900 W and with 1000 W grill built-in microwave
- Stainless steel cavity and touch door opening
- Defrosting, heating and cooking by time and type of meal
- 5 levels of power cooking selection
- 4 levels of power grill selection
- 95 min. time selector with display
- Diameter of glass dish 315 mm
- Maximum diameter for a dish 320 mm
- Microwave frame integrated



Code	4057
EAN	8435025740570
Model	NorChef MW 25 DG CU
Type (Built in / free standing)	Built in
DIMENSIONS	
Cavity height [mm]	208
Cavity width [mm]	328
Cavity depth [mm]	369
External dimensions: height [mm]	388
External dimensions: width [mm]	595
External dimensions: depth [mm]	380
Characteristics	
Finishing	Black /cooper
Door opening System	Lateral by touch
Cavity capacity [L]	25
Automatic menu	8
Nº of heating cooking programs	5
Nº of grill cooking programs	3
Noise level db[A]	63
Time-setting option	Yes
CONTROL	
Display technology	White Electronic display
Electronic timer	Yes
Manual timer	No
Start/Stop button	Yes
Door opening button	Push
Timer [min]	95
Power selector	Yes
Function and temperature selector	Function selector
Working indicator	LED display
Control type	Electronic
Weight selector	Yes
EQUIPMENT	
Inside light	Yes
Cavity construction type	Stainless steel
Opening door angle [degrees]	90
FUNCTIONS	
Grill	Yes
Simultaneous grill + microwave	Yes
Defrosting, heating and cooking by food type	Yes
Memories	No
Quick start	Yes
SAFETY	
Safety thermostat	Yes
Safety automatic disconnection	Yes
Child safety lock	Yes
Door temperature	65
Nº of glasses in the door	1
CONNECTION	
Grill power [kW]	1
Microwave power [W]	900
Total power [kW]	1,45
Voltage / Frecuency [V/Hz]	230 / 50
Plug type	Schuko
ACCESORIES	
Rotatory removable glass	Yes
Diameter of glass dish [mm]	315
Built in frame	Included
Ventilation kit	No